

T ECHNICAL INFORMATION



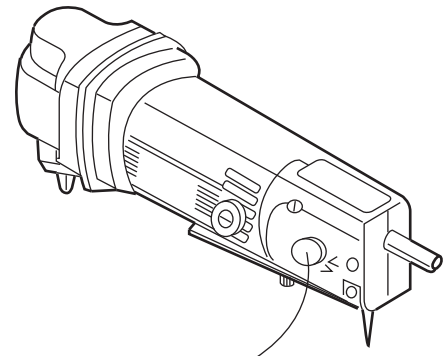
New Tool

Models No. ▶ DA3000R

Description ▶ 10 mm angle drill

CONCEPTION AND MAIN APPLICATIONS

The model is similar to the model DA3000 and DA3000V except for for the newly employed reversible function and developed at the request from the export markets. The model displays its advantages in the wider uses, such as removing screws, and pulling wood working drills out of wood material.



Knob (to switch between the forward and reverse rotation.)

[Outside drawing of DA3000R]

▶ Standard equipment

Same as for DA3000 and DA3000V models.

▶ Optional accessories

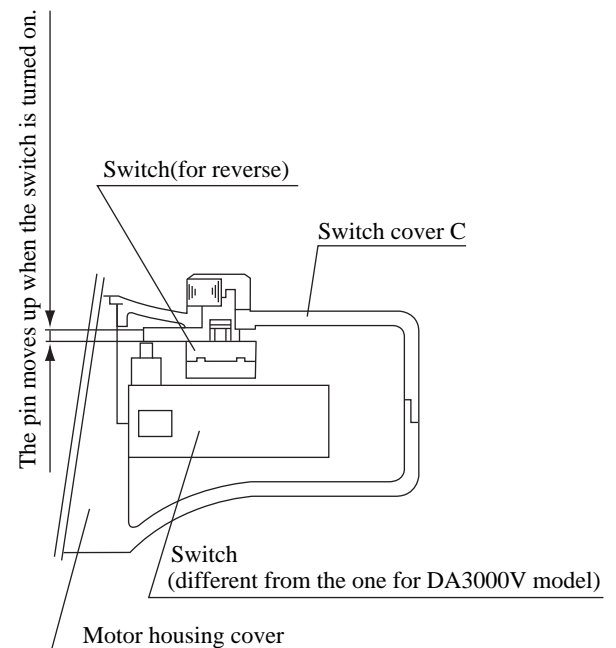
Same as for DA3000 and DA3000V models, except the following.

It exhibits its advantages in removing screws and pulling wood working drills out of wood material with the variable speed reversible motor.

▶ Repair

Same as for DA3000 and DA3000V models, except for the motor.

- (i) The reversible switch can not be operated unless the variable switch is turned off to protect the reversible switch as shown in the fig. on the right. Therefore you should never install the switch for DA3000V model by mistake, otherwise the reversible switch could be broken.



The standard equipment for the tools shown may differ from country to country.